

GIA emergency showers – and eye washes

GIA is the leading manufacturer in Sweden of emergency showers and eye/face wash units and has since the early 1990s continuously developed new types of showers.

The production from Gia is certified according to ANSI Z358.1-2004.

We offer one of the widest range of eye/face washes units, safety showers, as well as safety mixers.

Some things to consider when selecting equipment

Rinsing aggressive substances from the skin or eyes usually takes longer time than anyone can imagine. Splash of acid in the eyes must be continuously washed for at least 15 minutes.

It is therefore important to select the right equipment that has sufficient flow of soft water.

It is also important that the emergency showers are designed in such a way that, independent of water pressure, the eyewash has a proper flush picture.

GIA emergency showers are equipped with automatic pressure and flow control which guarantee a proper flush picture as long as the water pressure stays between 2 -7 bar.

GIA showers are equipped with drainage in order to minimize the risk of bacterial growth.

For installation of safety showers in aggressive environments models in stainless steel, PVC or painted design should be considered.

Recommended flushing time:

Sulphuric acid	at least 15 min
Hydrochloric acid	at least 15 min
Ammonia solution	15-30 min
Sodium hydroxide	15-30 min
Caustic soda	4-6 hours



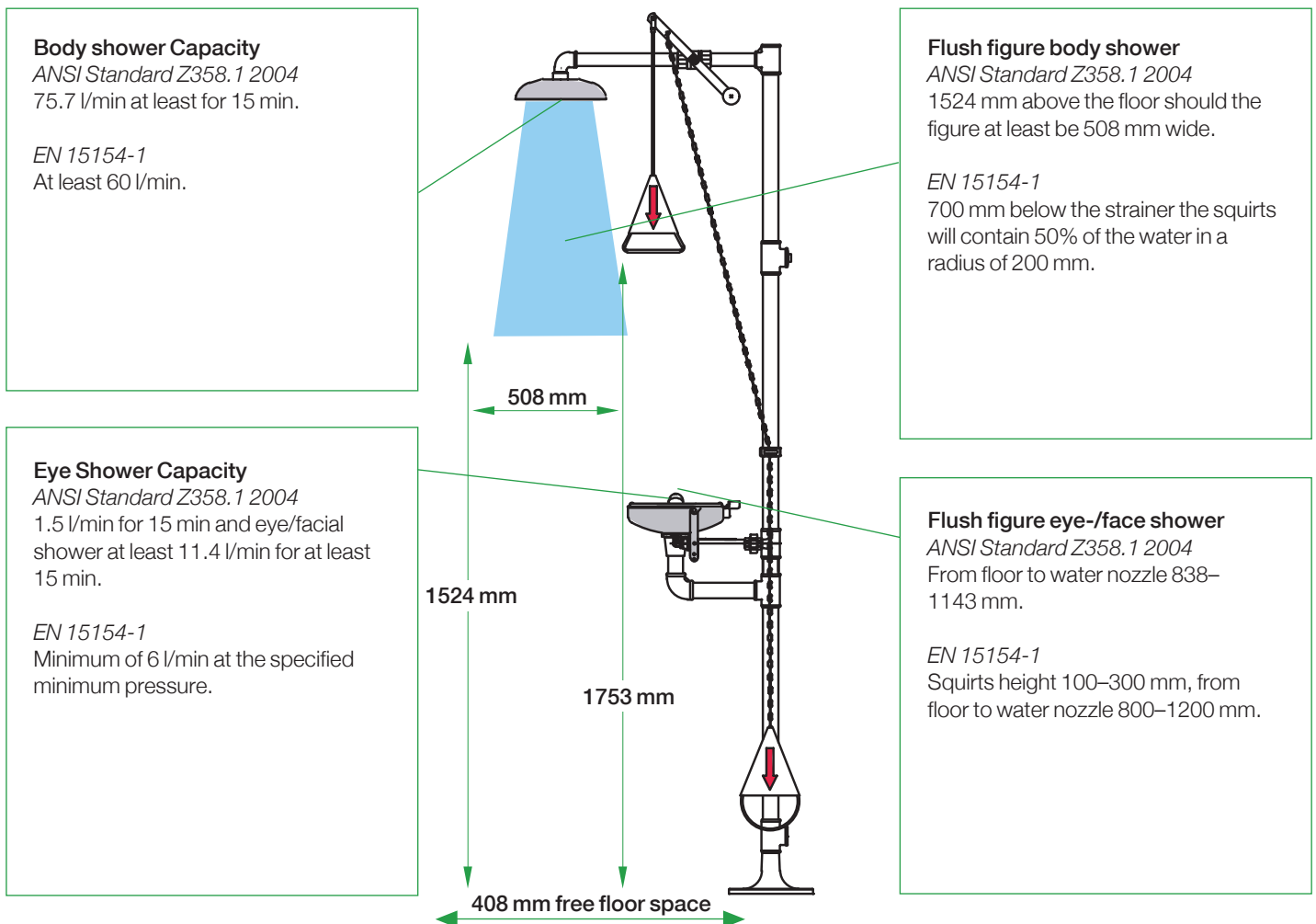
All our emergency showers and eyewash units fulfil the requirements of SS-EN 15154-1 & 2:2006 and ANSI Standard Z358.1-2004.

Rules & requirements, design of equipment

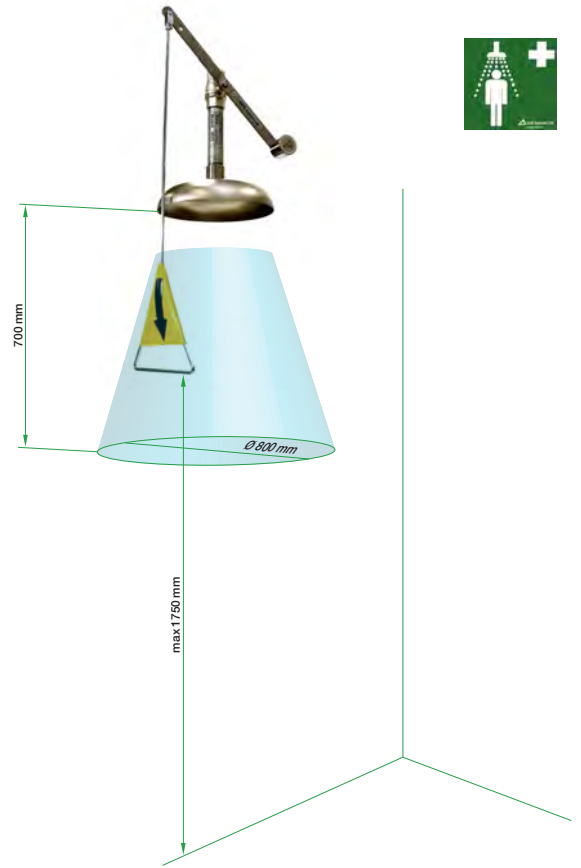
ANSI Standard Z358.1 2004 & SS-EN15154-1 & 2:2006

IMPORTANT!

- Material in the shower should be adapted to the environment where it is placed
- The performance of the shower should be adapted to its potential users
- Showers should be in the immediate vicinity, and be reachable within a few seconds
- Tempered water should always be considered
- After activation of water will come after 1 second
- The valves must not be self-closing
- Protection should be of nozzles on eye-/facial showers
- Pressure and flow-regulated water is a major advantage
- All emergency showers should be well aware of clear sign
- Functional Test equipment regularly, and document
- A safety mixer that is adapted for your purpose should be installed
- The water should be of good quality
- Install noise/flashing alarm of showers that are located alone



SS-EN 15154-1 & 2:2006



ANSI Standard Z358.1 2004

